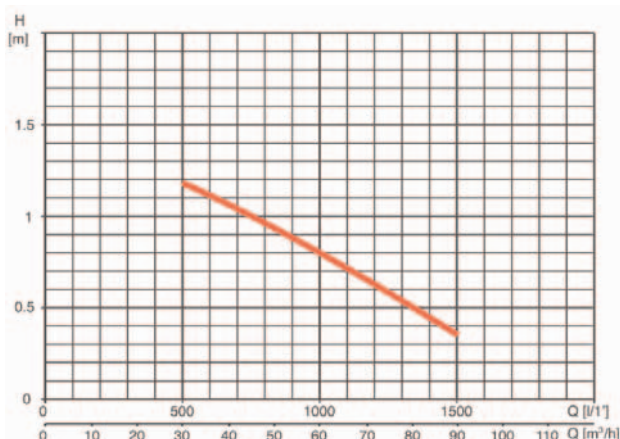




Air blower

Vento



MODEL	A	P1 (kW)	
	1~ 230 V	1~	3~
Vento 600	2.7	600	-
Vento 600 IN	2.7	600	-
Vento 600 RE	4	900	-
Vento 600 IR	4	900	-

Applications

Air blower for whirlpool baths.

Materials

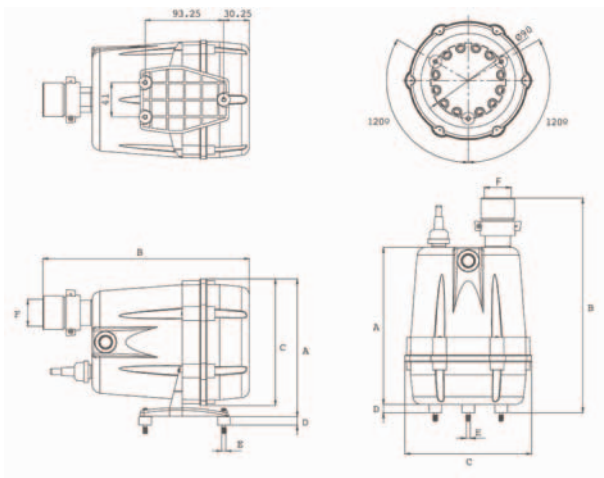
- Body**
Polypropylene.
- Impeller**
Aluminium.
- Diffuser**
Polyamide.
- Seals**
O'rings in NBR.

Motor

Class B insulation.
IP X5 Protection.
Continuous operation.
Further protection to be undertaken by installer.

Features

- Vento :** Vertically mounted.
- Vento H :** Horizontally mounted.
- Vento IN :** On/off Pneumatic switch
- Vento RE :** With 300 W heater.
- Vento IR :** With pneumatic switch On/off and 300 W heater.



	A	B	C	D	E	DNm	Kg
Vento	187	255	151	10	M5	32/40	2
Vento H	164	245	151	10	M5	32/40	2

Single phase Vertical		Single phase Horizontal		Flow [m³/h]	Manometric head [m]							
					0.4	0.5	0.6	0.7	0.8	0.9	1	1.2
Vento 600		Vento 600 H		90	80	70	66	60	52	45	30	
Vento 600 IN		Vento 600 IN H		90	80	70	66	60	52	45	30	
Vento 600 RE		Vento 600 RE H		90	80	70	66	60	52	45	30	
Vento 600 IR		Vento 600 IR H		90	80	70	66	60	52	45	30	

Reversed Table

See our whirlpool accessories catalogue for full details