

Nadorsel

Description

Single-impeller centrifugal pump specifically designed for jet-stream currents, with flows up to 75 m³/h.

Self-priming up to 4 metres. With 2 drainage spouts on the hydraulic casing. Adjustable impulsion. Supplied with suction and impulsion accessories.

Materials

Pump casing, pump base, diffuser, impeller and seal mounting in technopolymer.

AISI 420 stainless-steel drive shaft.

Mechanical seal in graphite and alumine, L-2521 alumine motor casing and windings mechanism impregnated with epoxy resin. NBR gaskets.

Motor

Dual-pole, asynchronous. IP-55 protection. Class F insulation.

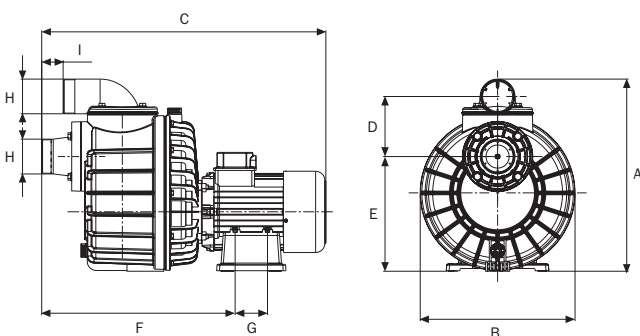
Continuous operation. Single-phase version with built-in thermal protector.

Accessories

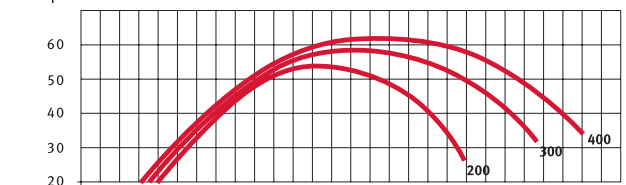
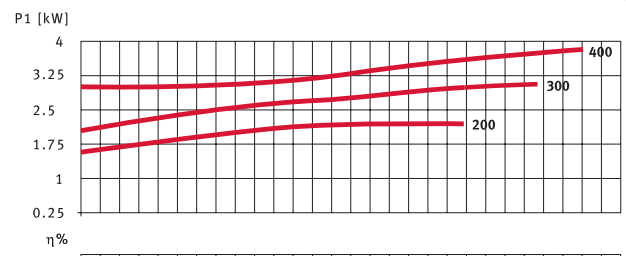
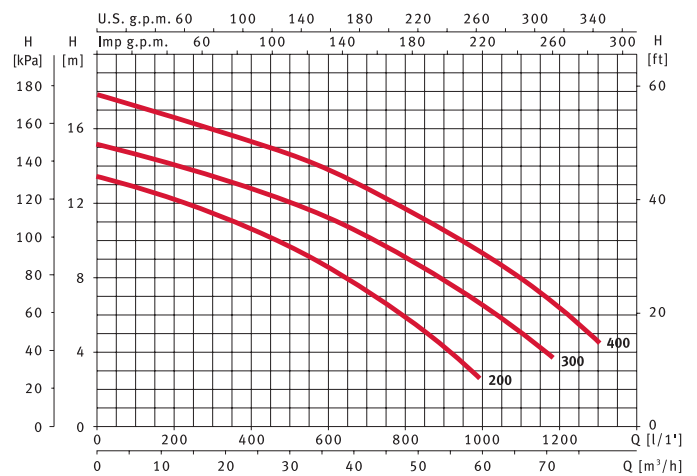
Control panel model	Reference	P1 (kW)		Dimensions			Unitary packaging		
		1~	3~	A	B	C	m ³	Kg	u/pallet
NC CM 2	134548	2,2	-	160	190	113	0,004	2	24
NC CT 2	134549	-	2,2	160	190	113	0,004	2	24
NC CT 3	137584	-	3,0	160	190	113	0,004	2	24



Dimensions



Model	A	B	C	D	E	F	G	H	I
Nadorsel 200	416	335	615	130	249	419	70	2 1/2"	47
Nadorsel 300	416	335	615	130	249	419	70	2 1/2"	47
Nadorsel 400	416	335	615	130	249	419	70	2 1/2"	47



Model	Reference		I (A)			P1 (kW)		P2		c	Ø Suc. (mm)	l/min	Flow (m³/h)							Unitary packaging				
	Single-phase	Three-phase	230 V	230 V	400 V	1~	3~	(kW)	(HP)				(µF)	6	12	24	36	48	60	72	78	m ³	Kg	u/pallet
Nadorsel 200	96985	96984	10,2	6,7	4	2,2	2,2	1,5	2	40	63	mvc	12,9	12,2	10,6	8,5	6,0					0,101	25,1	8
Nadorsel 300	96987	96986	13,4	8,6	5	3,0	3,0	2,3	3	60	63		14,6	14,0	12,8	11,3	9,0	6,5				0,101	26,1	8
Nadorsel 400	-	96988	-	11,8	6	-	3,4	3,0	4	-	63		17,2	16,6	15,3	13,8	11,6	9,4	6,3	4,5	0,101	28,0	8	