



Pump and filter package c/w rigid pipework

# Filterpak Plus

A filter and pump package c/w a multiport valve in the top or side position. Pump range includes the Silen range with flows from 10, 14 and 21 m<sup>3</sup>/hr. Motor powers of 0.6, 0.74, 1 and 1.5hp. Filter options include 500, 600 and 750mm diameter with top valve c/w rigid pipe and side valve with rigid pipes.

**+ High working pressure**

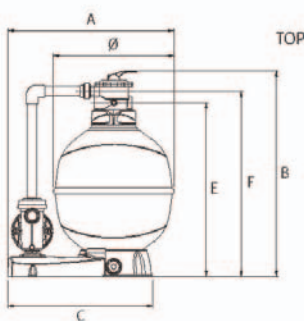


**+ Minimisation of friction losses**

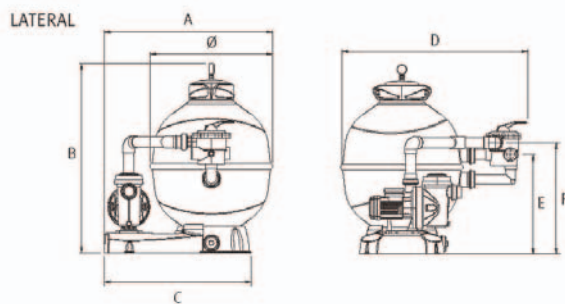
**+ Top version with two half threads for cover fixing**

**+ Long life (according to the ANSI/NSF50 - 2004)**

**+ Life tests in excess of 700,000 cycles**



MODEL	l/min	40	80	120	160	215	265	290	325	350	400
	m <sup>3</sup> /h	2.4	4.8	7.2	9.6	12.9	15.9	17.4	19.5	21	24
<b>S1 60</b>		13.6	13.2	12.6	10.9	6.7	3.2	-	-	-	-
<b>S1 75</b>		15.2	15	14.6	13.1	9.9	6	5.2	-	-	-
<b>S1 100</b>		16.9	16.5	16	15	12.9	10	8.4	5.9	-	-
<b>S1 150</b>		18.6	18.2	17.7	16.9	15.1	13	11.9	10	8.4	5.1



Ref	Dimensions					
	A	B	C	D	E	F
<b>133291</b>	803	981	744	-	815	873
<b>132669</b>	803	866	744	845	463	524
<b>132670</b>	853	957	744	945	501	562
<b>132671</b>	853	957	744	945	501	562
<b>132673</b>	1054	1100	871	1076	630	711

Ref	Pool V(*) (m <sup>3</sup> )	Filter				Pump				Valves		Packaging
		∅ (mm)	Flow (m <sup>3</sup> /h)	Sand (Kg)	Mod.	P2(HP)	A 1~	∅ Asp.	Connection	Position	Weight Volume (m <sup>3</sup> )	
<b>133291</b>	80	500	10	85	S1 60	0.60	3.7	50	1 1/2"	Top	25.0/0.369	
<b>132669</b>	80	500	10	85	S1 60	0.60	3.7	50	1 1/2"	Lateral	24.0/0.443	
<b>132670</b>	112	600	14	145	S1 75	0.75	5.5	50	1 1/2"	Lateral	27.0/0.647	
<b>132671</b>	112	600	14	145	S1 100	1.00	6.2	50	1 1/2"	Lateral	27.0/0.647	
<b>132673</b>	168	750	21	300	S1 150	1.50	7.1	50	2"	Lateral	38.0/1.15	